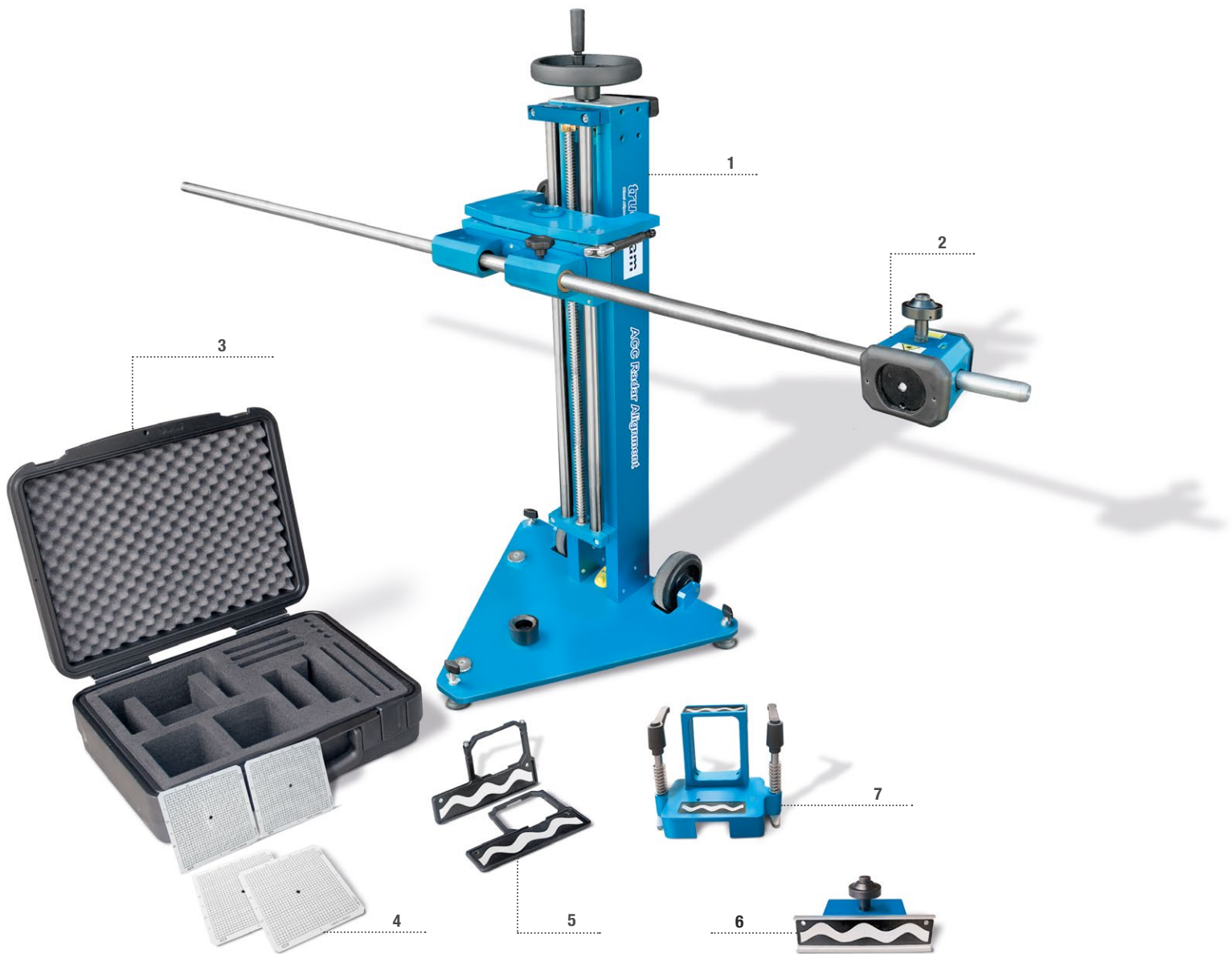


ACC / AICC Radar Alignment, computerized

TC-2012

truckCam™



ITEM	PRODUCT ITEM	PRODUCT NR.	QTY
1.	Radar Measuring Stand	TC-412	1
2.	Laser Unit	TC-262	1
3.	Storage Case for ACC / AICC	TC-516	1
4.	AZOF ELOF Scale, 4 types	TC-219	1
5.	Camera Marker assymetric	TC-217-50	2
6.	Parallelism Target for ACC/AICC	TC-229	1

OPTIONAL

7.	Wabco Adapter	TC-413	1
----	---------------	--------	---

PLEASE NOTE Minimum required equipment to operate TC-2012 System: 2 Camera Sensor TC-256, 1 Wheel Adapter, 1 Wireless server TC-305.